

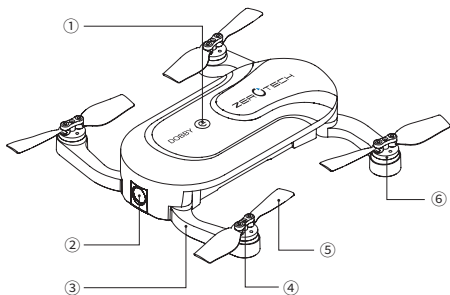
# DOBBY Pocket Drone

Quick Start Guide

V2.1

## Aircraft

The DOBBY Pocket Drone is pocket-sized and foldable flying camera for everyone, featuring Auto Pull-away Short Video, Target Tracking, Orbit shooting and other intelligent functions. It captures 4k, produces 1080P FHD Video and 13 megapixel photos. The aircraft is controlled by Do.fun App on smart phone using Wi-Fi connection.



① Power Button

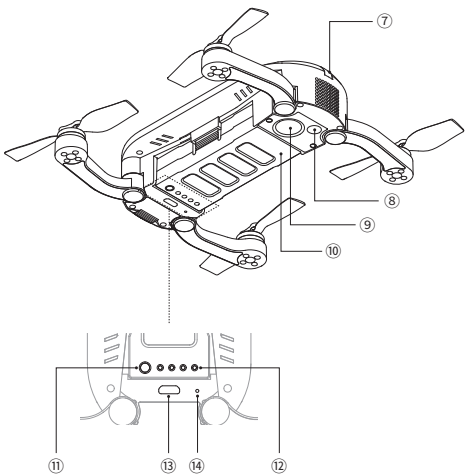
② Manual adjustable Camera

③ Arm

④ Propeller Clip

⑤ Propellers

⑥ Motors



⑦ Aircraft Status Indicator

⑨ Ultrasonic Sensor

⑪ Batter Level Check Button

⑬ Micro-USB Port

⑧ Visual Positioning Camera

⑩ Battery

⑫ Battery Level LEDs

⑭ Reset Ostiole

## Appendix Specifications

Product name: DOBBY

Model: DB16-100B

SW Version: DB20160617

HW Version: 1B

### Aircraft

---

Weight	199g
Size	Expanded: 135mmx145mmx36.8mm ; Folded up: 135mmx67mmx36.8mm
Max. operating altitude	3000m
Flight duration	9 minutes (at sea level)
Operating temperature	0~40°C
Highest wind resistance	28km/h
Positioning system	Outdoor: GPS&GLONASS dual satellite positioning Indoor: optical flow & sonar positioning
Max. ascent height	50m using GPS positioning (may be adjusted by local regulations) 3m using optical flow positioning
Max. control distance	100m (in open air free of interference)
Hovering accuracy	Vertical : $\pm 0.1$ m (ultrasonic positioning active); $\pm 0.5$ m (outdoor) Horizontal: $\pm 0.3$ m (optic flow positioning active); $\pm 1.0$ m (outdoor)

### Camera

---

Sensor	1/3.06" CMOS; Effective pixels: 13M
Lens	FOV75°; 28mm (35mm format equivalent); f/2.2; Focus at $\infty$
Pitch Range	- 90°~22.5°
Photo Size	4208x3120
Photo shooting modes	Single shot Burst shot (2-15 photos) Timed shot
Video shooting modes	HD video shooting Auto Pull-away short video shooting Target tracking video shooting Face tracking video shooting
EV range	- 12; - 8; - 4; 0; 4; 8; 12
Timed shot countdown	Off; 3s; 5s; 10s; 20s
Video recording	4K@30fps,1080p@30fps after EIS on
Storage format	Photo: JPG Video: MP4 (MPEG-4 AVC/H.264)
Storage capacity	16GB
Data port type	Micro-USB

## Power Supply

---

Model	DBS15Q
Input	AC 100-240V 50/60Hz 500mA
Output	DC 5V/2A 9V/2A 12V/1.5A

## Battery

---

Model	D151 / D150
Rated capacity	970mAh
Rated energy	7.37Wh
Nominal voltage	7.6V
Battery type	LiPO 2S
Operating temperature (charge)	5~45°C
Operating temperature (discharge)	5~45°C
Max. charge voltage	8.7V

## Charger

---

Model	DBC15Q
Charging port type	Type-C
Input	9V== 2A
Output	8.7V== 1.5A

## Wi-Fi

---

Wi-Fi frequency	2.4GHz; 5GHz
EIRP	2.4GHz: 19dBm 5GHz: 13dBm

## 1. Download the Do.fun App

Search for “Do fun” on the APP Store or Google Play, or scan the QR code to download the app on your mobile device. Read the guide on your App interface to understand each button. Before the flight, you have to register your account on Do.fun.



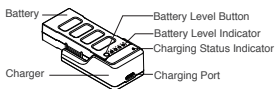
Do.Fun App

## 2. Check the Battery Level and Charge

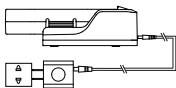
Press the Battery Level Button, the Battery Level Indicator will show the current battery level. If any of the lights are off, please charge the battery.

Plug the battery down to the charger. Use the USB cable to connect the charger to the adapter, and then plug the adapter into a power socket to begin charging.

When charging, the Charging Status Indicator will be solid orange/red. If the light turns solid green, it means it has completed charging. Turn off the power source and remove the battery from the charger.



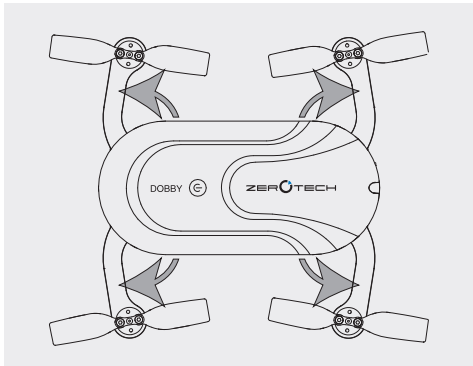
Battery and Charger



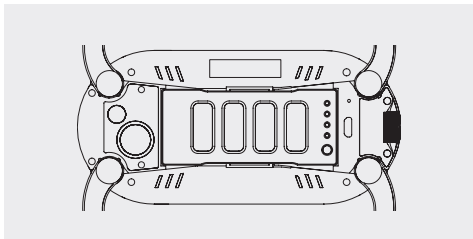
Connection for Charging

### 3. Preparing the Aircraft

(a). Fully unfold arms



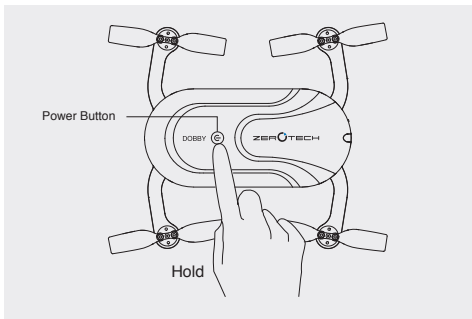
(b). Insert the battery, make sure the battery is in the same direction as above.



 Plug the Battery in the direction shown above. Do not reverse it!

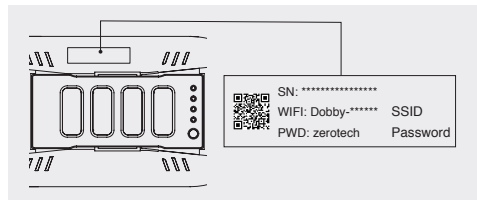
(c). Power on the aircraft


Long press the Power Button for 3 seconds, release until the light flashes blue. When you hear the sound, it means the aircraft is ready.



#### 4. Connect Wi-Fi and activate the APP control

Check the Wi-Fi name at side edge of aircraft. Search the Wi-Fi started with DOBBY and enter the default password "zerotech". After the connection of Wi-Fi, open the Do.fun App and tap the icon "🔑" to enter the controlling interface.




-  The Wi-Fi signal projector is on the aircraft.  
The Wi-Fi name and password can be changed in the Do.fun APP.



Do.fun

## 5. Calibrate and Prepare for the take-off



In the flying/photography interface, tap  in the top right corner, enter “Settings” - “Calibrate Compass” , and follow the on-screen prompts to calibrate the compass.

### **Attention:**

MUST calibrate in the following circumstance:

- First flight and first outdoor flying
- The flight location is far away from last location you flied
- When the Aircraft Status Indicator flashes purple
- The drone is drifting and cannot fly in straight line

Open the aircraft arms to avoid obstruct of calibration;

Avoid calibrating in strong magnetic interference field;

Do not put the aircraft with other magnetic materials and electronic device (eg: magnet, phone, table, Speaker) together.

## 6. Flight/Capture

Follow the instruction on Do.fun App to fly aircraft.

Three flight control modes are Motion Sense, Stick and Safe Stick.

The default camera direction is for selfie. You can switch the capture button to do photo/video/Auto Pull-away Short Video. All

the photos and videos will be saved in built-in 16G memory of DOBBY and can be previewed/downloaded in the media library on App.

## 7. Fly Safe



**Do the first flight in outdoor open area with strong GPS signal.  
Do stay away from the rotating propellers and motors.**

**Outdoor Fly::**



Avoid flying over or near obstacles, crowds, high voltage power lines, trees or bodies of water.

DO NOT fly near strong electromagnetic sources such as power lines and base stations as it may affect the onboard compass.



DO NOT use the aircraft in adverse weather conditions such as rain, snow, fog and wind speeds exceeding 10m/s.

**Caution:**

The aircraft function will be affected if attitude of fly location is above 3KM.

If the GPS signal is weak, the aircraft will switch to optical flow positioning mode, which should satisfy with certain conditions. Pls refer to "Indoors Fly"

**Indoor Fly:**

- Indoor fly is based on optical flow positioning. The area below should have clear texture, the texture should be not be too sparse or closed.
- Illumination of indoor fly should be sufficient(Illumination >15 lux), e.g.: normal daylight.
- Not suggested to fly fast under 0.5m, the optical flow positioning will not work.

**NO Fly Zone**

DO NOT fly in any No Fly Zone according to local laws and regulations.

**Register**

Pls register according to local laws and regulations.

---

This guide only covers basic information on DOBBY's operation. Please read the instructions in the app or download User Manual from our official website (<http://www.zerotech.com/en/index.html>) for more details.

This guide will be irregularly updated as necessary, and is subject to renewal without prior notice. Please visit our official website ([www.zerotech.com](http://www.zerotech.com)) to download the latest version.

DOBBY & Do.Fun

ZEROTECH (Beijing) Intelligence Technology Co., Ltd.  
[www.zerotech.com](http://www.zerotech.com)